

Full Bore N.P. Brass Ball Valve, 'T' Handle -



End Connections:

BS EN 10266 Parallel (ISO 228/1)

| Pressure/Temperature Rating |
|-----------------------------|
| 16 Bar/100°C |
| 40 Bar/70°C |
| |

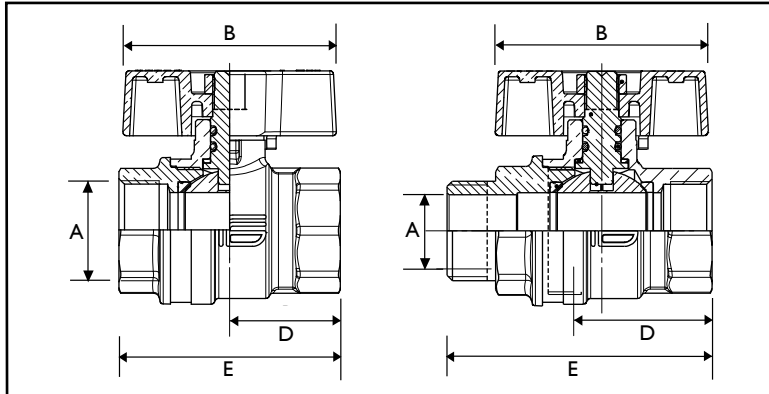


F x F - 00/0034



M x F - 00/0035

Dimensions Unit: mm



| | A | PN | B | D | E |
|----------------|------|----|----|----|----|
| Female /Female | 1/2" | 40 | 47 | 29 | 50 |
| | 3/4" | 40 | 56 | 29 | 58 |
| | 1" | 40 | 56 | 34 | 69 |
| Male /Female | 1/2" | 40 | 47 | 31 | 60 |
| | 3/4" | 40 | 56 | 35 | 66 |
| | 1" | 40 | 56 | 41 | 79 |