

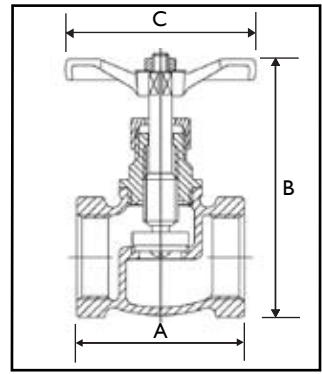
PN32, Bronze Globe Valve, PTFE Disc,
H/W Operated -
BS EN 12360

End Connections:
BS EN 10266 Taper
(ISO7 Rc)



Pressure/Temperature Rating
Saturated Steam - 14 Bar/198°C
Water, Oil, Gas - 32 Bar/100°C

Dimensions Unit: mm



	A	B (Open)	C
1/2"	50	72	56
3/4"	56	83	56
1"	66	99	66
1 1/4"	77	109	77
1 1/2"	77	126	77
2"	100	151	100