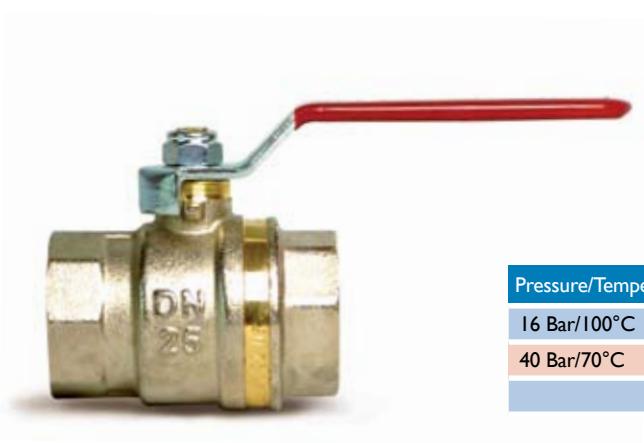
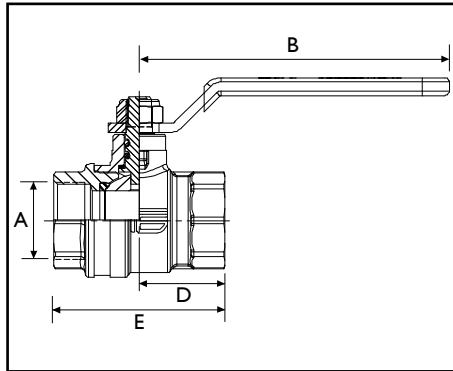


Full Bore N.P. Brass Ball Valve,
Lever Operated -
F x F - Sizes 1/2" - 4"

End Connections:
BS EN 10266 Parallel
(ISO 228/1)



Pressure/Temperature Rating
16 Bar/100°C
40 Bar/70°C



Dimensions Unit: mm

	A	PN	B	D	E
1/2"	15	40	85	25	50
3/4"	20	40	105	29	58
1"	25	40	105	34	69
1 1/4"	32	40	130	41	81
1 1/2"	40	40	130	47	93
2"	50	40	165	55	110
2 1/2"	65	40	249	67	133
3"	80	40	249	78	156
4"	100	40	249	96	192