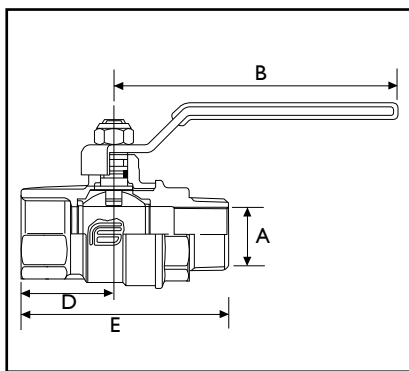


Full Bore N.P. Brass Ball Valve,
Lever Operated,
Male x Female - Sizes 1/2" - 2"

End Connections:
BS EN 10266 Parallel
(Female ISO 7/1 Rp
Male ISO 7/1R)



Pressure/Temperature Rating
16 Bar/100°C
40 Bar/70°C



Dimensions Unit: mm

	A	PN	B	D	E
1/2"	15	40	85	30	68
3/4"	20	40	105	35	78
1"	25	40	105	42	90
1 1/4"	32	40	130	48	104
1 1/2"	40	40	130	54	114
2"	50	40	165	65	136