



Epoxy Coated 'Y' Pattern Strainer,
 Flanged PN10/16 C/W Brass Draincock -
 Sizes DN40 - DN300 Standard
 (Larger sizes available on request)

Also Available:
 Steam Option

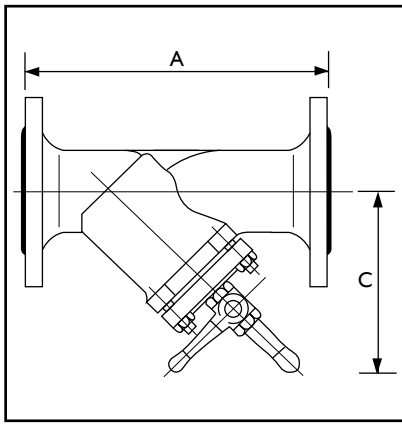
Stainless Steel Screens as standard:

- DN40 - DN50 500 Micron
- DN65 800 Micron
- DN80 - DN200 1250 Micron
- DN250 - DN300 1600 Micron

Please Note:
 DN200 and above PN10 only



Pressure/Temperature Rating
16 Bar/110°C up to DN150
10 Bar/110°C DN200 - DN300



Dimensions Unit: mm

DN	A	C	Mesh(mm)
40	200	130	0.50
50	230	145	0.50
65	290	192	0.80
80	310	173	1.25
100	350	220	1.25
125	400	280	1.25
150	480	326	1.25
200	600	410	1.25
250	730	456	1.60
300	850	550	1.60