

ROBOCAL Automatic air vents

series 5024 - 5025 - 5026 - 5027



cert. n° 0003
ISO 9001

01033/03 GB

Replaces 01033/99 GB



Function

These automatic air vents eliminate residual air in heating and air conditioning systems without the need for manual intervention. This prevents undesired noise, wear of devices in the circuits and inefficient performance of heating units.



Product range

Series 5024 Automatic air vent with horizontal discharge _____ Sizes 1/4" e 3/8" M
 Series 5025 Automatic air vent with horizontal discharge and automatic shut off valve _____ Size 3/8" M
 Series 5026 Automatic air vent with vertical discharge _____ Sizes 3/8" and 1/2" M
 Series 5027 Automatic air vent with vertical discharge and automatic shut off valve _____ Size 3/8" M

Technical specification

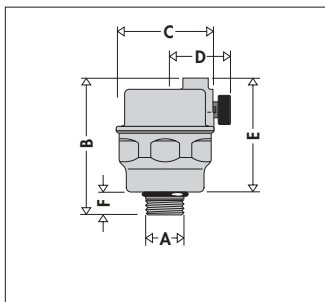
Materials:

Body and cover: brass EN 12165 CW617N
 Float: PP
 Obturator: silicone rubber
 Spring: stainless steel
 Seals: EPDM
 Seals on shut off valve: PTFE

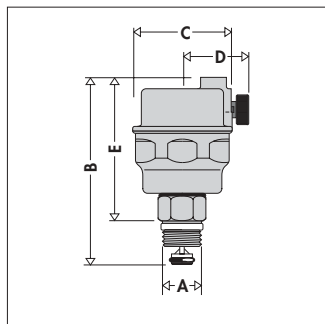
Performance:

Medium: water, glycol solutions
 Max. percentage of glycol: 30%
 Max. working pressure: 10 bar
 Max. venting pressure: 5024, 5025 4 bar
 5026, 5027 6 bar
 Max. working temperature: 5024, 5026 115°C
 5025, 5027 110°C

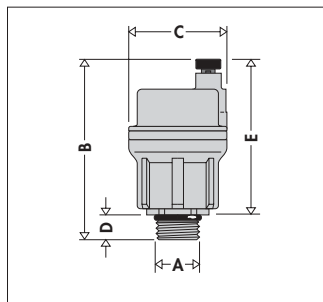
Dimensions



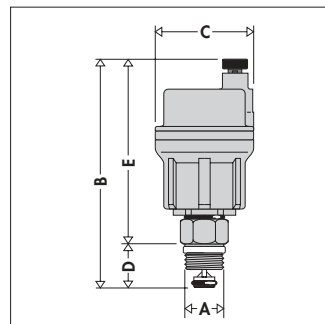
Code	A	B	C	D	E	F	Weight (kg)
502420	1/4"	55	∅ 40	25	45	10	0,140
502430	3/8"	55	∅ 40	25	45	10	0,147



Code	A	B	C	D	E	Weight (kg)
502530	3/8"	72	∅ 40	25	57	0,167

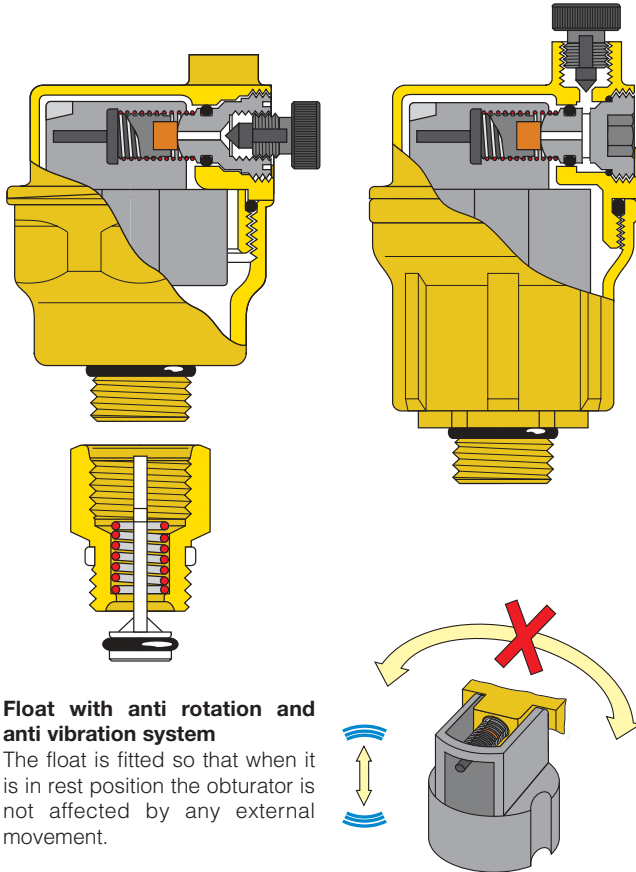


Code	A	B	C	D	E	Weight (kg)
502630	3/8"	77	∅ 40	10	67	0,155
502640	1/2"	77	∅ 40	10	67	0,160



Code	A	B	C	D	E	Weight (kg)
502730	3/8"	101	∅ 40	19	82	0,175

Constructional details



Float with anti rotation and anti vibration system

The float is fitted so that when it is in rest position the obturator is not affected by any external movement.

"Dry" obturator

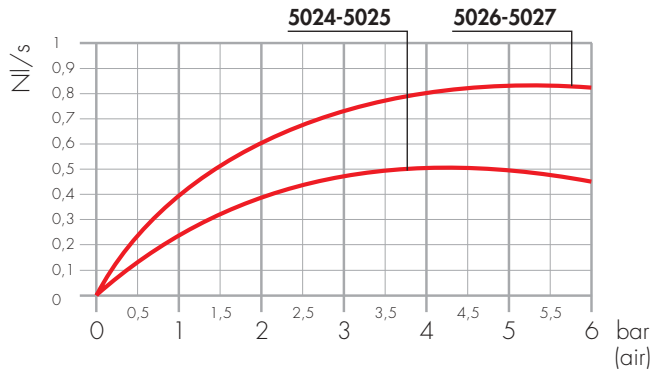
The positioning of the float and the internal parts is such that the water never reaches the obturator itself. This prevents faults caused by the infiltration of impurities present in the fluid.

Version with shut-off valve

The automatic shut-off valve makes maintenance and inspection of the air vent easier by shutting off the flow of water when the valve has been removed. O-rings in EPDM ensure a good seal with the valve body.

Fluid dynamic characteristics

Air flow (when filling the system)



Installation

- Air is vented from the system by turning the plug on the air outlet anticlockwise by one complete turn from the fully closed position. Air is automatically vented if the cap is kept in this position.
- It is recommended that the air vents are not fitted in places difficult to inspect and at risk of freezing.

Accessories

- Series 561 shut off valves are available for the 3/8" and 1/2" sizes.
- The anti suction valve code 562200, is available for all air vents in the ROBOCAL series.



SPECIFICATION SUMMARIES

Series 5024

Automatic air vent. 1/4" M (or 3/8" M) threaded connection. Body and cover in brass. Obturator in silicone rubber. Max. working temperature 115°C. Max. working pressure 10 bar. Max. venting pressure 4 bar. Float with anti rotation and anti vibration system. Horizontal discharge.

Series 5025

Automatic air vent complete with automatic shut-off valve. Threaded connection 3/8" M. Body and cover in brass. Obturator in silicone rubber. Max. working temperature 110°C. Max. working pressure 10 bar. Max. venting pressure 4 bar. Float with anti rotation and anti vibration system. Horizontal discharge.

Series 5026

Automatic air vent. Threaded connection 3/8" M (o 1/2" M). Body and cover in brass. Obturator in silicone rubber. Max. working temperature 115°C. Max. working pressure 10 bar. Max. venting pressure 6 bar. Float with anti rotation and anti vibration system. Vertical discharge.

Series 5027

Automatic air vent complete with automatic shut-off valve. Threaded connection 3/8" M. Body and cover in brass. Obturator in silicone rubber. Max. working temperature 110°C. Max. working pressure 10 bar. Max. venting pressure 6 bar. Float with anti rotation and anti vibration system. Vertical discharge.

We reserve the right to change our products and their relevant technical data, contained in this publication, at any time and without prior notice.