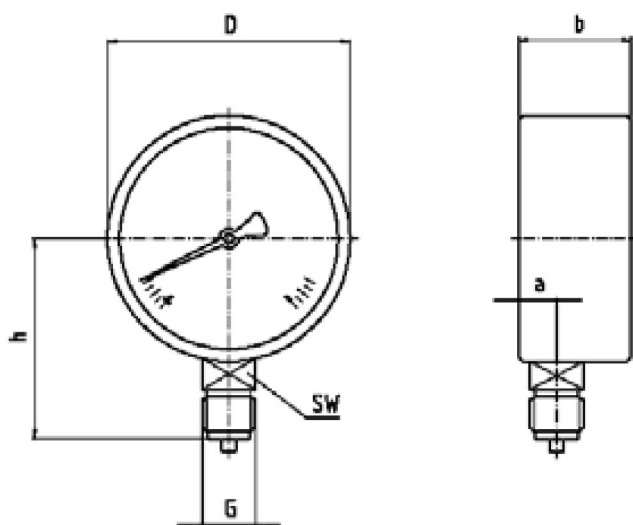


Buy online at: www.vip-ltd.co.uk

Black and Chrome Pressure and Altitude Gauges



Optional Extras

- Other pressure connection
- Custom dial printing
- Other mounting arrangement

Service and Applications

- Designed for use with gases and liquids that will not obstruct the pressure system or corrode copper.
- Heating, ventilation, air conditioning.
- Design: In all. EN837-1.
- Accuracy class: +1.6.

Operating Temperature

- Ambient: -40 to 60 C.
- Medium: Copper alloy.
- Connector and Block: Brass.
- Mounting: Direct, bottom entry.
- Pointer: Black Aluminium.
- Dial: Aluminium, black letter, white background.

4" Range	Dial Size	Conn.	Stock Code
-30"HG (-1 bar)	Ø 100mm	3/8" BSP	80/0750/000
0-15 psi (1 bar)	Ø 100mm	3/8" BSP	80/0750/015
0-30 psi (2 bar)	Ø 100mm	3/8" BSP	80/0750/030
0-60 psi (4 bar)	Ø 100mm	3/8" BSP	80/0750/060
0-100 psi (7 bar)	Ø 100mm	3/8" BSP	80/0750/100
0-160 psi (11 bar)	Ø 100mm	3/8" BSP	80/0750/160
0-200 psi (14 bar)	Ø 100mm	3/8" BSP	80/0750/200
0-300 psi (21 bar)	Ø 100mm	3/8" BSP	80/0750/300
0-400 psi (27 bar)	Ø 100mm	3/8" BSP	80/0750/400
0-600 psi (40 bar)	Ø 100mm	3/8" BSP	80/0750/600
0-1000 psi (70 bar)	Ø 100mm	3/8" BSP	80/0750/1000

6" Range	Dial Size	Conn.	Stock Code
-30"HG (-1 bar)	Ø 150mm	3/8" BSP	80/0660/000
0-15 psi (1 bar)	Ø 150mm	3/8" BSP	80/0660/015
0-30 psi (2 bar)	Ø 150mm	3/8" BSP	80/0660/030
0-60 psi (4 bar)	Ø 150mm	3/8" BSP	80/0660/060
0-100 psi (7 bar)	Ø 150mm	3/8" BSP	80/0660/100
0-160 psi (11 bar)	Ø 150mm	3/8" BSP	80/0660/160
0-200 psi (14 bar)	Ø 150mm	3/8" BSP	80/0660/200
0-300 psi (21 bar)	Ø 150mm	3/8" BSP	80/0660/300

Dial Size	a	b±0.5	D	G	h±1	SW	Weight (kg)
Ø 100	12	30	100	3/8" BSP	77	17	0.33
Ø 160	12	30	150	3/8" BSP	102	17	0.66